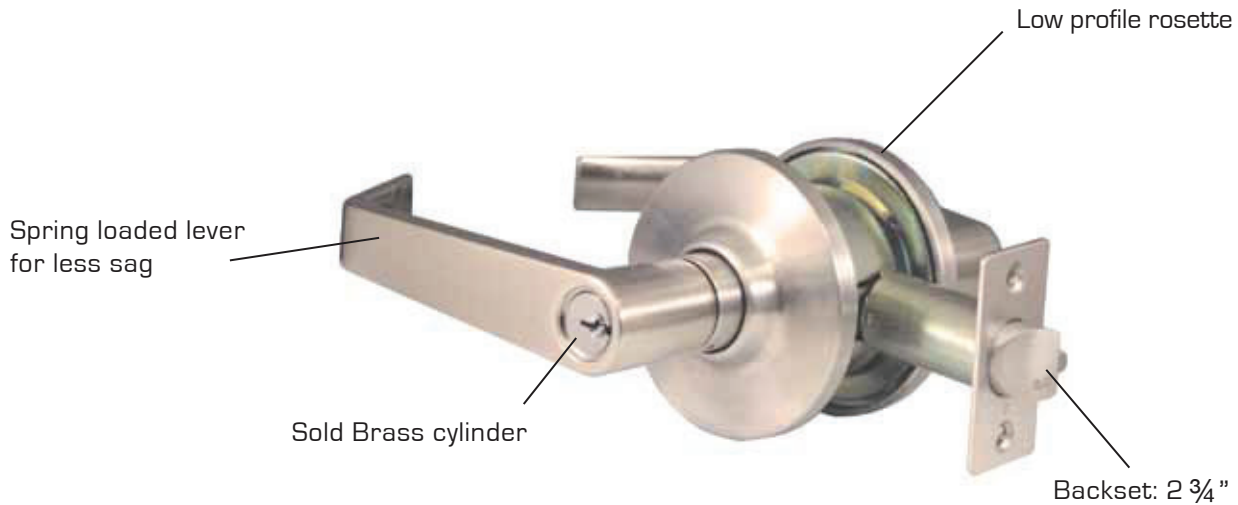


# GLC SERIES

**GRADE  
2**

## LIGHT DUTY COMMERCIAL CYLINDRICAL LEVER

The GLC Series cylindrical locksets are designed for use on all light duty Grade 2 commercial and residential applications. The GLC commercial lever is ADA compliant.



**GLC LEVER**



Meets ADA requirements



**GLC KNOB**

## CODE COMPLIANCE



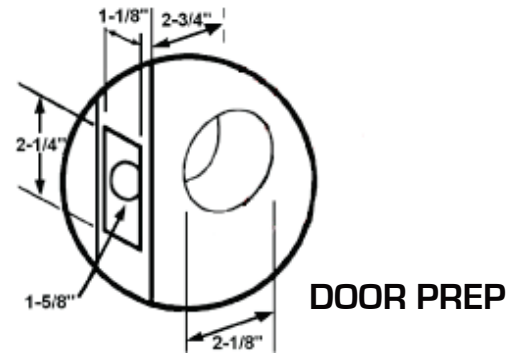
- ANSI A117.1 ADA Barrier-free Accessibility (GAL LEVER)
- C-UBC California Uniform Builders Code-2001

## FEATURES

- Door thickness: 1 3/8" - 1 7/8" range
- Backset: 2 3/4"
- Cylinder: Schlage Solid Brass "C" keyway
- Keying: Schlage 5 pin keyed
- Key: 2 five pin Nickel Plated
- Functions: See below
- Construction: Steel, Zinc Dichromated resists corrosion
- Heavy duty spring cage reinforced for lever return
- Latch: 1/2" projection Stainless Steel
- Bore: 2 1/8" hole retrofits grade 3 cylindrical locksets
- Fits 161 Prep doors
- Strike: ANSI 1 1/4" x 4 7/8" strike
- Warranty: Lifetime mechanical - 10 year finish
- Finishes: Lever US26D, Knob US32D

## OPTIONS

- 2 3/8" backset, Deadlatch
- 2 3/8" backset, Springlatch
- GLA001 - 1 1/8" x 2 3/4" "T" Strike
- DL-EXBS5: Extension for 5" backset



## ACCESSORIES



**GLC085-S2-626**  
**GLC096-S1-626**

1" SQ DL 2 3/8", US26D  
1 1/8" SQ DL 2 3/4", US26D



**GLC068-S2-626**  
**GLC116-S1-626**

1" SQ SL 2 3/8", US26D  
1 1/8" SQ SL 2 3/4", US26D



**GLA026 Square Corner**  
1 1/4" x 2 1/4"  
Full Lip Strike



**GLA001**  
1 1/4" x 2 3/4"  
"T" Strike



**DL-DX161 FILLER COVER**  
• 2 3/8" filler plate  
• Finishes: USP, US26D



**GLA025-626**  
1 1/4" x 4 7/8"  
ASA Strike



**DL-EXB5 5" BACKSET  
EXTENSION**

## KEYING OPTIONS

(additional charges may apply)

- 2 keys per cylinder
- KD: Keyed Different
- KA: Keyed Alike
- KA2: Keyed alike; groups of 2
- KEYWAYS: SC5



FUNCTION	GLOBAL DOOR CONTROLS
PASSAGE	<b>GLC-5110</b>
PRIVACY	<b>GLC-5140</b>
ENTRANCE	<b>GLC-5151</b>
STOREROOM	<b>GLC-5180</b>