



CR6000 SERIES

HEAVY DUTY, GRADE 1

DIGITAL TOUCH SCREEN DOOR LOCK

WITH CLUTCH TECHNOLOGY & RFID PROXIMITY CARD

Optional Interchangeable Core for Best, Falcon and Arrow



GN DESIGN
CR6000
ICCR6000



AT DESIGN
AT6000
ICAT6000



SPA DESIGN
SPA6000
ICSPA6000



9V EMERGENCY BATTERY PORT



INSIDE UNIT



PROXIMITY RFID CARD

- ◆ MASTER CODE
- ◆ 3 MANAGER CODES
- ◆ 1,000 USER CODES (COMBINED RFID & USER PIN CODE)
- ◆ 3 SERVICE CODES
- ◆ PASSAGE MODE
- ◆ 4-6 DIGIT CODE COMBINATION
- ◆ WEATHER RESISTANT
- ◆ 9V BATTERY EMERGENCY POWER
- ◆ ANTI-TAMPER LOCKOUT
- ◆ LOCK-OUT MODE

- ◆ CLUTCH TECHNOLOGY
- ◆ OPTIONAL INTERCHANGEABLE CORE
- ◆ NON-HANDED, REVERSIBLE
- ◆ TOUCH SCREEN
- ◆ WAKE-UP BUTTON
- ◆ PROXIMITY CARD (13.56MHZ)
- ◆ LONG-LIFE BATTERY OPERATION
- ◆ EASY INSTALLATION AND PROGRAMMING
- ◆ USER FRIENDLY

SPECIFICATIONS

APPLICATIONS

For offices, schools, hospitals, apartments, condo units, hotel/motel, residential, commercial and public buildings.

DOOR RANGES

1-3/8" to 2".

BACKSET

2-3/4" standard or 2-3/8" optional backset.

LATCH FACEPLATE

Standard 1-1/8" x 2-1/4" for 2-3/4" backset.
Optional 1" x 2-1/4" for 2-3/8" backset.

STRIKES

ASA Strike standard, T and full lip strike available on request.

ANSI STANDARDS

Certified ANSI/BHMA A 156.2 Series 4000 Grade 1 requirements.

CYLINDER

5-pin or 6-pin solid brass "Schlage C" keyway standard with two brass keys per lock.



CLUTCH

Clutch technology allows turning of lever without retracting the latch, thus prolonging the life of the lock by reducing stress on the spindle and other parts.

PROXIMITY CARD

Compatible with existing MIFARE infrastructures.
Operates at 13.56MHz in accordance with ISO 14443A.
Inductive distance up to 1-3/16".

INTERCHANGEABLE CORE

Interchangeable Core locks will accept compatible 6 or 7 pin cores with BEST and FALCON. Prefix "IC" before part number.

WEATHER RESISTANT

All models are weather resistant for temperature ranges of -30°F ~ 150°F (-35°C ~ 66°C).

TOUCH SCREEN

Responds to human touch enabling convenient entrance or access to programming menu. After operation has been completed, the lock reverts to sleep mode.

POWER SUPPLY

4-AA Batteries (comes standard in packaging). 9V DC battery emergency power.

CR6000 DIGITAL TOUCH SCREEN DOOR LOCK

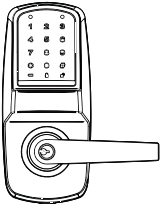


FINISHES

BHMA SYMBOL	US CODE	DESCRIPTION
626	US26D	Satin Chrome
613	US10B	Oil Rubbed Bronze
605	US3	Polished Brass
606	US4	Satin Brass
625	US26	Bright Chrome

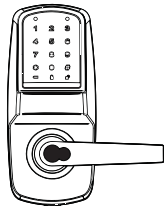
FUNCTIONS

CR6000



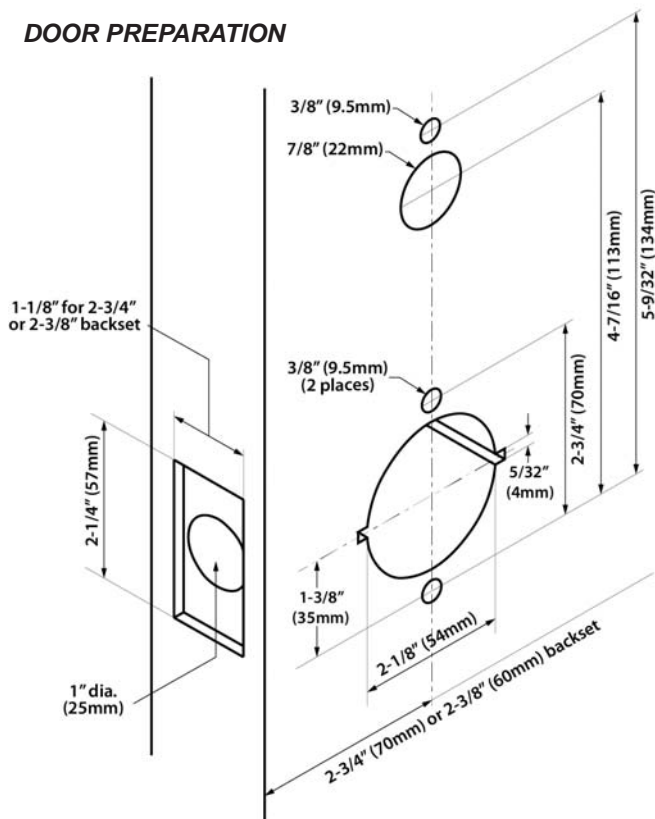
Latch bolt operated by lever from either side. Outside would need to enter pre-programmed code on the touch screen in order to retract the latch upon turning lever. Key overrides the use of the touch screen.

ICCR6000



Latch bolt operated by lever from either side. Outside would need to enter pre-programmed code on the touch screen in order to retract the latch upon turning lever. Key overrides the use of the touch screen. Available with Interchangeable Core.

DOOR PREPARATION



FEATURES

Master PIN Code

Use for programming the lock and entering Manager and User PIN codes. Can also be use to open the lock and reset to factory settings.

Manager PIN Code

Use to open the door with lock out mode. Also functions like a User PIN code. This feature can also program 3 one-time user codes.

User PIN Code

This feature only opens the lock by entering the code on the touch pad. It wont be able to program or change settings. This lock can accomodate up to 1000, 3 to 6 digits combined RFID and User PIN codes.

One-Time User PIN Code

Can only be used once. This lock can store up to 3 one-time User PIN code simultaneously.

Passage Mode

Enabling passage mode allows continous entry for non-restricted traffic. Passage mode can either be enabled or disabled by the Master Pin code. When in passage mode, the unlocked padlock icon will appear on the screen.

Beep & LED Indicators

These indicators can be programmed for different settings. This feature is useful in making sure that every keypress was successfully entered.

Lock-Out Mode

This feature can either be enabled by the Master or Manager PIN Codes. When enabled, it restricts all User PIN codes access except Master and Manager PIN codes.

SMART Card

- Compatible with existing MIFARE infrastructures
- Operates at 13.56 Mhz in accordance with ISO 14443A
- Inductive distance up to 1-3/16"

Touch Screen Anti-Tamper Lock Out

This function will auto shut off the lock if an invalid code is entered 5 times in succession to prevent tampering.

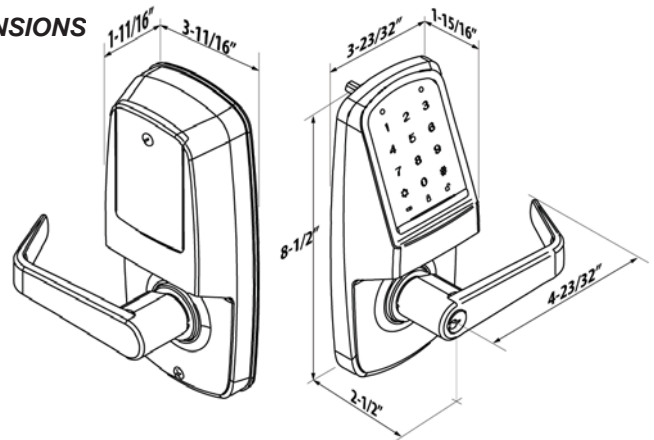
Weather Resistant

CR6000 are manufactured making sure that internal electronic parts are protected from moisture, dust water and corrosion. All models are weather resistant for temperature ranges of -30°F ~ 150°F (-35°C ~ +66°C).

Wake-up Button

Pressing this button activates the number pad. Enter the PIN code when while the number pad is illuminated. This button is also used to quit programming mode.

DIMENSIONS



HOW TO ORDER: For "AT" and "SPA" design, replace design name. Example, "AT6000". Prefix "IC" for Interchangeable Core.